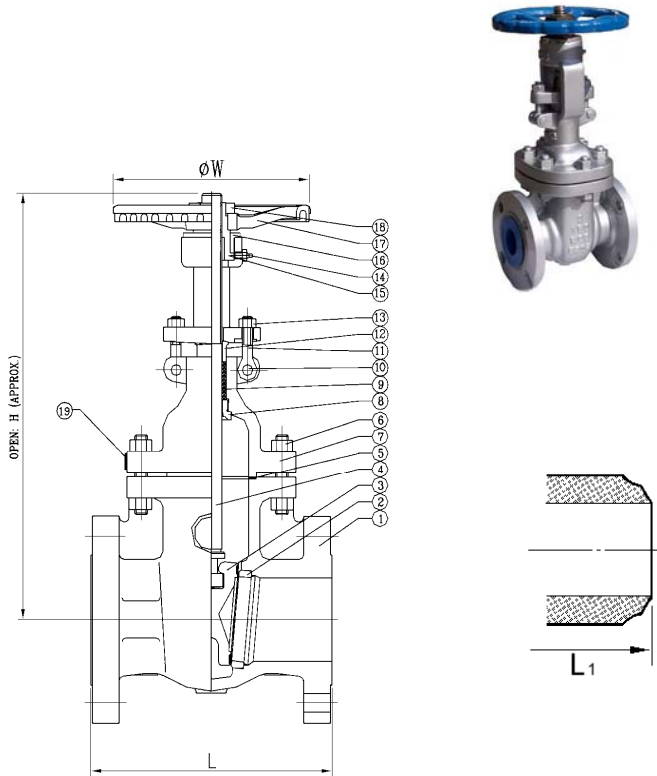


ANSI CLASS 150 CAST STEEL GATE VALVE

FIG. 272-CS-150 Class 150, Flanged ends, bolted bonnet, WCB body & bonnet, 13Cr/HF trim.



Flange dimensions: ANSI B16.5
 Butt weld end dimensions: ANSI B16.25
 Face-to-Face dimensions: ANSI B16.10
 Testing: API 598
 Design: API 600

Materials:

No.	Part Name	Specification
1	Body	A216 WCB
2	Seat ring	A105 HF
3	Wedge/disc	WCB, 13Cr Overlay
4	Stem	A276 – 410, 420
5	Gasket	Metal jacketed Grafoil
6	Stud/nut	B7/2H
7	Bonnet	A216 WCB
8	Back seat	A276 – 410, 420
9	Packing	Grafoil
10	Pin	Carbon steel
11	Eye bolt/nut	B7/2H
12	Gland	A276 – 410, 420
13	Gland flange	Carbon steel
14	Grease fitting	Brass/steel
15	Stem nut	ASTM B-148
16	Retaining nut	Carbon steel
17	Handwheel	Ductile iron
18	Handwheel nut	Carbon steel
19	Nameplate	321SS

Note: Other body materials and trims are available upon request.

Dimensions:

Size		L (RF)		L1 (BW)		H (open)		W		Weight	
in	mm	in	mm	in	mm	in	mm	in	mm	lb	kg
2	50	7	178	8.5	216	16.13	409	8	220	47	21
2½	65	7.5	190	9.5	241	18.5	472	9	240	56	25
3	80	8	203	11.13	283	21	532	10	250	75	34
4	100	9	229	12	305	24.13	612	11	280	115	52
5	125	10	254	15	381	28	710	12	300	151	69
6	150	10.5	267	15.88	403	31.75	806	13	320	197	90
8	200	11.5	292	16.5	519	39	990	14	350	289	131
10	250	13	330	18	457	46.5	1186	16	400	450	205
12	300	14	356	19.75	502	55.25	1405	18	450	640	291
14	350	15	381	22.5	572	63.5	1615	19	500	860	391
16	400	16	406	24	610	71.25	1811	23	600	1190	541
18	450	17	432	26	660	78.25	1986	25	650	1490	677
20	500	19	457	28	711	87	2210	27	700	1885	857
24	600	20	508	32	813	106.25	2698	33	850	2780	1264
28	700	24	610	36	914	119.5	3030	33	850	1931	1765
30	750	24	610	36	914	130.5	3317	36	900	2380	2028
32	800	26	660	38	965	137.25	3487			2490	2280
36	900	28	711	40	1016	150.5	3825			3600	3080