

Tom Disco® 304A (Wafer) / 304Q (Lugged)

Butterfly Valves

TRITEC

TT2

334A

302A/303Q

304A/304Q

302Y/304Y

304M(HLV)

507V/508V

846T/847T/847Q

841T/842T

773Z(NAV-Z)

700G/704G/705G

731P/732P
732X/731X

700E/700K

704G/722F/720F

LRV

227P

MKT

903C/904C

High Performance Butterfly Valve to Suit API Standard

Valve nominal size: 80mm to 600mm
 Max. working pressure: 2.0MPa
 Working temperature range: -29 degrees C to 232 degrees C

Size	80	100	125	150	200	250	300	350	400	450	500	600
Face to face dimension	48	54	56	57	64	71	81	92	102	114	127	154

125mm model is designed to suit JIS B2002 (series 46) and ISO 5752 (series 20).
 50mm and 65mm models are available with face to face dimension of API 609 category A.

General description

Designed to suit those severe conditions such as high temperature, high pressure or high velocity which disallow the use of soft resilient seated butterfly valves.
 Ideal for use including chemical processes, and applications with low pressure steam and high temperature gas.

Double eccentric geometry

The design exhibits tight shut off, reduced torques, chemical resistance, excellent throttling capabilities, and the ability to operate with relatively high pressure drops.

Characteristics

New Stopper Device Japan Patent No. 1769954 (80 to 300mm)

For the 80 to 300mm models, automatic aligning and disc overrun prevention are ensured by the special spherical design of the inner surface of the body disc hub edge. As for the 350 to 600mm models, a spacer ring is provided between the mating surfaces of the disc hub edge and inner surface of the body for disc alignment. Disc overrun is prevented by a protrusion on the inner surface of the body.

Disc with a thin but highly stiff rib

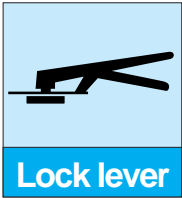
As for 80 to 300mm models, the disc has a thin but highly stiff rib. As for 350 to 600mm models, the rib of the disc has a convex figuration like an end plate of tank. Both designs successfully reduce thermal expansion and show a constant sealing capability against any change in temperature or fluid pressure.

Standard specifications

Valve nominal size	80mm to 300mm (7 sizes)		350mm to 600mm (5 sizes)			
Face-to-face dimensions	API 609 (class 150)		API 609 (class 150) ISO 5752 (25 series), JIS B 2002 (47 series)			
Connection	Wafer type					
Pressure rating	ANSI B16.34 class 150Lb (Seat rating is designed to suit API 609 150lb above zero degree C)					
Applicable flange standard	JIS 10K/16K/20K, ANSI 125/150Lb, BS 10 table F, BS 4504 PN 10/16, DIN NP10/16		JIS 5K/10K/16K/20K, ANSI 125/150Lb, BS 4504 PN 10/16, ISO 2084 NP 10/16			
Body shell test	Max. 3.2MPa as per API 598					
Seat leak test	Max. 2.3MPa as per API 598. Low pressure closure test is available upon request.					
Max. working pressure ¹	2.0MPa					
	Bi-directional flow (Flow to disc side is recommended.)					
	Max. working pressure at reverse flow for 250mm and 300mm is 1.6MPa.		Max. working pressure at reverse flow is 1.0MPa.			
Working temperature range ²	-29 to 232 degrees C (RPTFE)		-20 to 232 degrees C (RPTFE)			
Seat leakage	-20 to 200 degrees C (White PTFE as option)					
	ISO 5208 rate A, API 598-1996					
Standard materials	Body	SCPH2/WCB	SCS 14A/CF8M	SCPH 2/WCB	SCS 13A/CF8	
	Disc	SCS 13/CF8 (Hard chrome plating)	SCS 14A/CF8M (Hard chrome plating)	SCS13A/CF8 (Hard chrome plating)		
	Stem	SUS 420 J2	SUS 329 J1 (Over-10 degrees C) SUS 316 L ² (Applicable for above-10 degrees C and under 1.6MPa) SUS 329 J4 L (Applicable for above-10degrees C and over 1.6MPa)	SUS 420 J2 (Under 1.0MPa) SUS 630 (Over 1.0MPa)	SUS 304 (Under 1.0MPa) SUS 630 (Over 1.0MPa)	
	Seat ring	RPTFE (carbon reinforced Teflon) as standard, White Teflon seat, Fire safe seat as option				
	Gland packing	RPTFE(carbon reinforced Teflon)				
Top flange	ISO 5211					
Bonnet type	Open bonnet					
Actuators	Lock lever	80mm to 150mm				
	Worm gear					
	Pneumatic cylinder	80mm to 600mm				
	Motorized					
Painting	Silicon resing coating (grey N7) for 200 degrees C and lower. Heat resistant silver coating for over 200 degrees C. No painting for stainless steel.					

1. Please see P/T rating table.

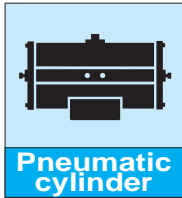
2. Please consult Tomoe if the pressure exceeds 1.6MPa.



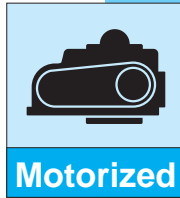
Lock lever



Worm gear



Pneumatic cylinder



Motorized

Easy replacement of the seat ring

The ball lock method is used to simplify replacement of the seat ring.

Double eccentric geometry

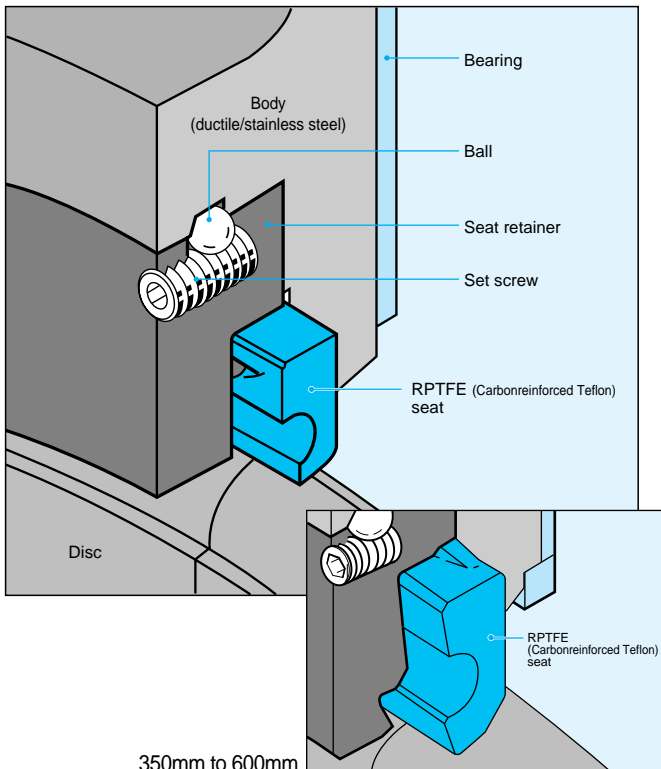
When the disc rotates, it unseats at a small open angle by its cam effect. It prevents seat abrasion and provides perfect shut-off for a long period.

Bi-directional flow

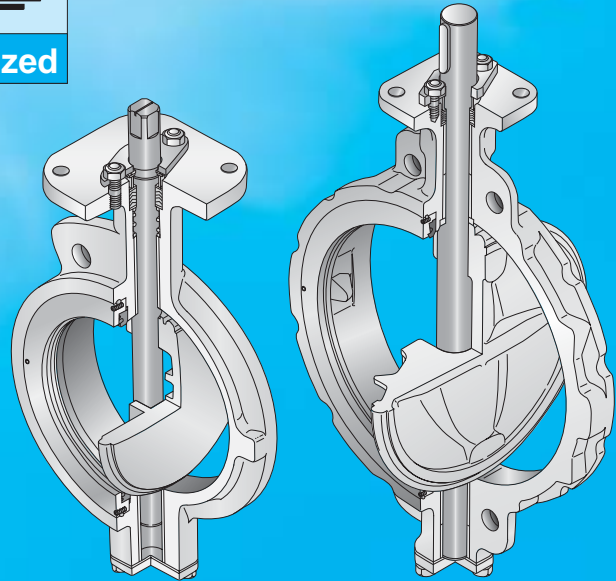
Seals flow in both directions. Valve can be used even if the flow changes direction. (There are pressure limitations for each direction of flow. See chart below for recommended specifications.)

RPTFE (Carbon reinforced teflon) as standard

80mm to 300mm



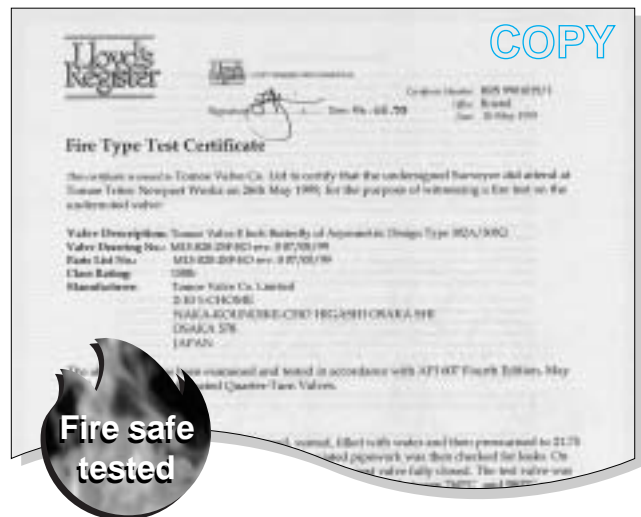
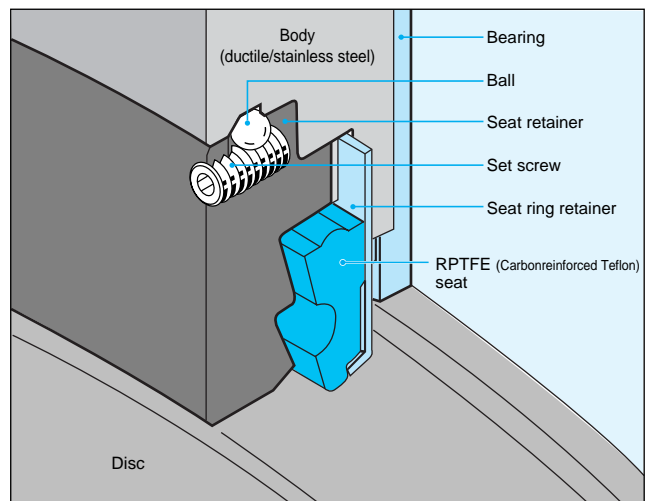
350mm to 600mm



80mm to 300mm

350mm to 600mm

Fire safe seat as option



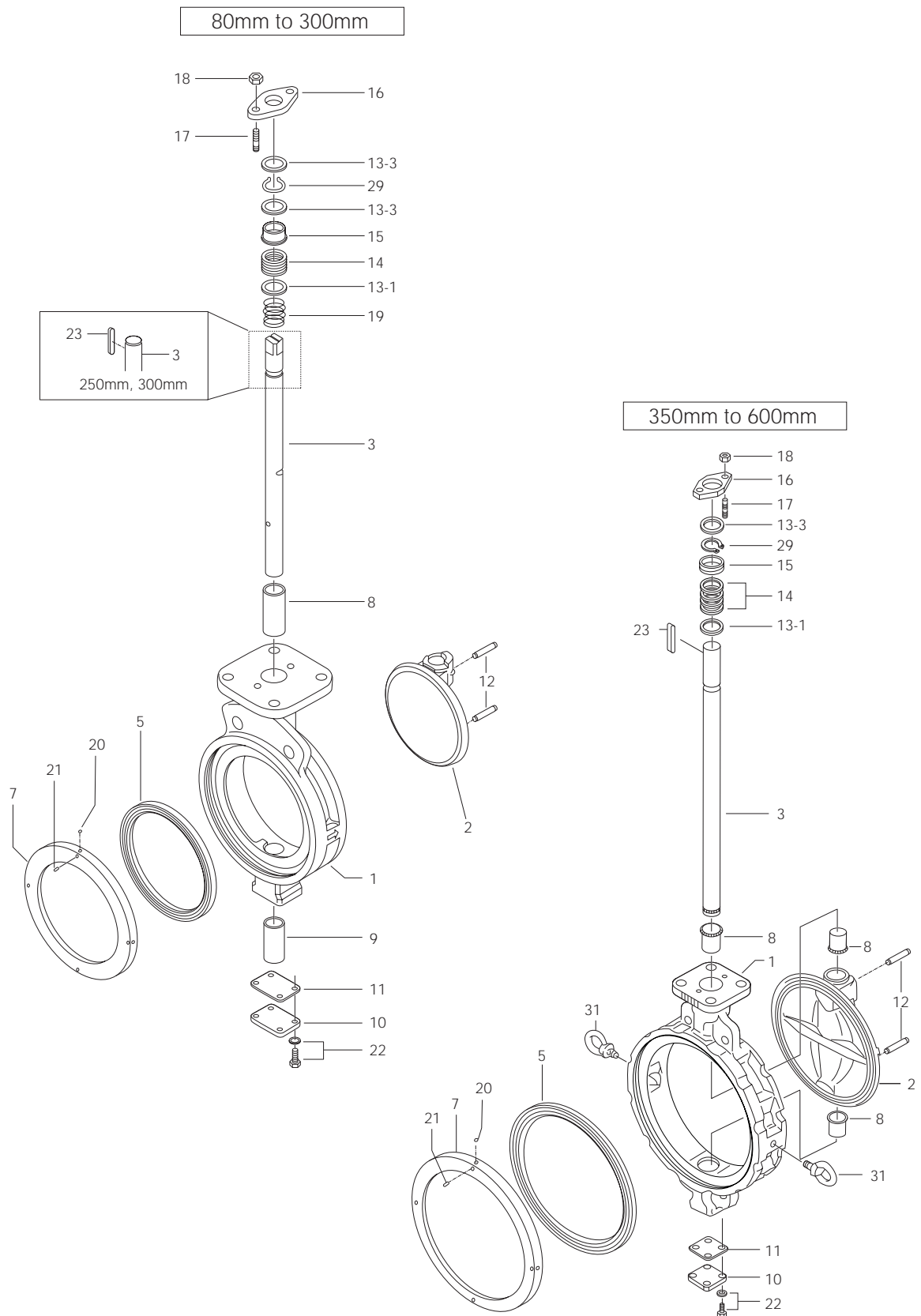
Butterfly Valves

TRITEC
TT2
334A
302A/303Q
304A/304Q
302Y/304Y
304M(HLV)
507V/508V
846T/847T/847Q
841T/842T
773Z (NAV-Z)
700G/704G/705G
731P/732P
732X/731X
700E/700K
704G/722F/720F
LRV
227P
MKT
903C/904C

Tom Disco[®] 304A (Wafer) / 304Q (Lugged)

304A Expanded view of components

Butterfly Valves
TRITEC
TT2
334A
302A/303Q
304A/304Q
302Y/304Y
304M (HLV)
507V/508V
846T/847T/847Q
841T/842T
773Z (NAV-Z)
700G/704G/705G
731P/732P 732X/731X
700E/700K
704G/722F/720F
LRV
227P
MKT
903C/904C



304A Parts list

304A Parts list(80mm to 300mm)

No.	Description	Q'ty	Remarks
1	Body	1	
2	Disc	1	
3	Stem	1	
5	Seat ring	1	
7	Seat ring retainer	1	
8	Top shaft bearing	1	
9	Bottom shaft bearing	1	
10	Bottom cover	1	
11	Bottom gasket	1	
12	Taper pin	2	
13-1	Packing retainer	1	
13-3	Ring	2	
14	Gland packing	1 sets	
15	Gland bush	1	
16	Gland flange	1	
17	Gland bolt	2	
18	Gland nut	2	
19	Gland coil	1	Only 80mm to 150mm
20	Ball	2	80mm to 125mm
		4	150mm to 300mm
21	Set screw	2	80mm to 125mm
		4	150mm to 300mm
22	Hexagon bolt, Spring washer	4 sets	
23	Key	1	Only 250mm, 300mm
29	C-ring	1	

304A Parts list(350mm to 600mm)

No.	Description	Q'ty	Remarks
1	Body	1	
2	Disc	1	
3	Stem	1	
5	Seat ring	1	
7	Seat ring retainer	1	
8	Shaft bearing	3	
10	Bottom cover	1	
11	Bottom gasket	1	
12	Taper pin	1	
13-1	Packing retainer	1	
13-3	Ring	1	
14	Gland packing	1 sets	
15	Gland bush	1	
16	Gland flange	1	
17	Gland bolt	2	
18	Gland nut	2	
20	Ball	4	
21	Set screw	4	
22	Hexagon bolt, Spring washer	4 sets	
23	Key	1	
29	C-ring	1	
31	Eye bolt	2	Only 450mm to 600mm

Remark: The indicates recommended spare parts. They are supplied as "Seat ring set" with a small hexagonal spanner to remove set screws (P.21).

Butterfly Valves

TRITEC

TT2

334A

302A/303Q

304A/304Q

302Y/304Y

304M^(HLV)

507V/508V

846T/847T/847Q

841T/842T

773Z^(NAV-Z)

700G/704G/705G

731P/732P

732X/731X

700E/700K

704G/722F/720F

LRV

227P

MKT

903C/904C

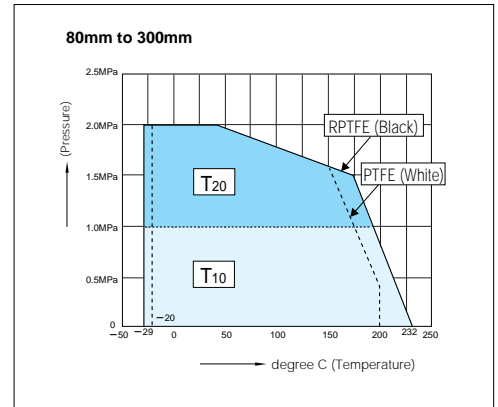
Tom Disco® 304A (Wafer) / 304Q (Lugged)

304A Actuator selection chart

80mm to 300mm

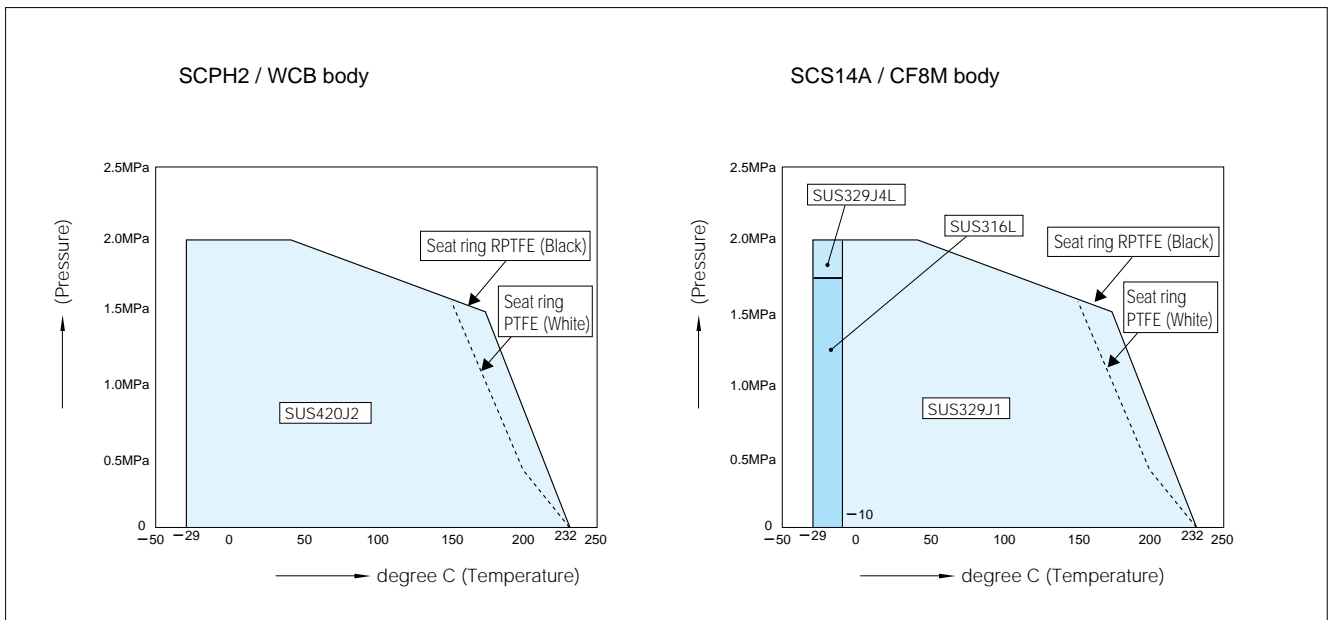
Model	Category	Size (mm / inch)						
		80	100	125	150	200	250	300
TRITEC	TT2	3	4	5	6	8	10	12
334A	1T	1T-2		1T-3				
302A/303Q	T10 T20	1T-2		1T-3				
304A/304Q	2U	2U-2		2U-4		2U-5		
302Y/304Y	T10 T20	2U-2		2U-4		2U-5		
304M (HLV)	3E	K70	K170		K370	K700		
507V/508V	3G,3F 3U,3K	K170S	K370S	K700S	TG-12S			
846T/847T/847Q	T10 T20	K170S	K370S	K700S	TG-12S			
841T/842T	4I	4I-0	4I-1	4I-2	4I-2.5	4I-3		
773Z (NAV-Z)	T10 T20	4I-0	4I-1	4I-2	4I-2.5	4I-3		
700G/704G/705G	4J	SRJ-010	SRJ-020		SRJ-060			
731P/732P 732X/731X	T10 T20	SRJ-010	SRJ-020		SRJ-060			
700E/700K	T10 T20	SRJ-010	SRJ-020		SRJ-060			
704G/722F/720F	T10 T20	SRJ-010	SRJ-020		SRJ-060			
LRV	T10 T20	SRJ-010	SRJ-020		SRJ-060			
227P	T10 T20	SRJ-010	SRJ-020		SRJ-060			
MKT	T10 T20	SRJ-010	SRJ-020		SRJ-060			
903C/904C	T10 T20	SRJ-010	SRJ-020		SRJ-060			

304A Pressure rating



304A Standard stem material

80mm to 300mm

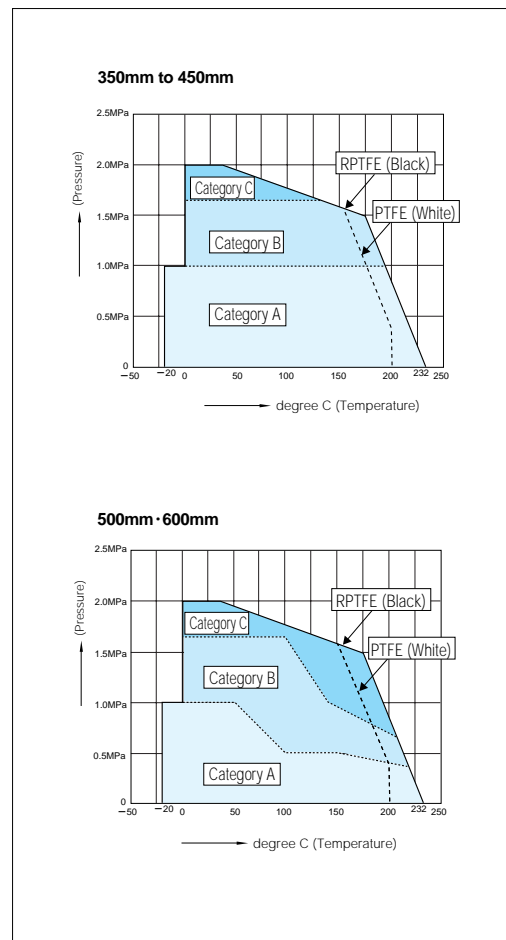


304A Actuator selection chart

350mm to 600mm

Model	Category	Size (mm / inch)				
		350	400	450	500	600
		14	16	18	20	24
2S	A	DGH-3		DGH-4		DGH-4+R/G5
	B	DGH-3		DGH-4		DGH-4.5 +R/G5
	C	DGH-3		DGH-4		DGH-4+R/G5
3A	A	TGA-125		TGA-140		TGA-180
	B	TGA-140		TGA-160		TGA-200
	C	TGA-140		TGA-160		TGA-180
3U,3K	A	TG-14S		TG-20S		
	B	TG-14S		TG-20S		
	C	TG-14S		TG-20S		
4I	A	4I-4				
	B	4I-4				
	C	4I-4				
4L	A	LTKD-01 0.2kW/DGH-3		LTKD-02 0.4kW/DGH-4		LTKD-02 0.75kW/DGH-4
	B	LTKD-02 0.4kW/DGH-4		LTKD-02 0.75kW/DGH-4		LTKD-05 1.5kW/DGH-5
	C	LTKD-02 0.4kW/DGH-4		LTKD-02 0.75kW/DGH-4		LTKD-05 1.5kW/DGH-5

304A Pressure rating

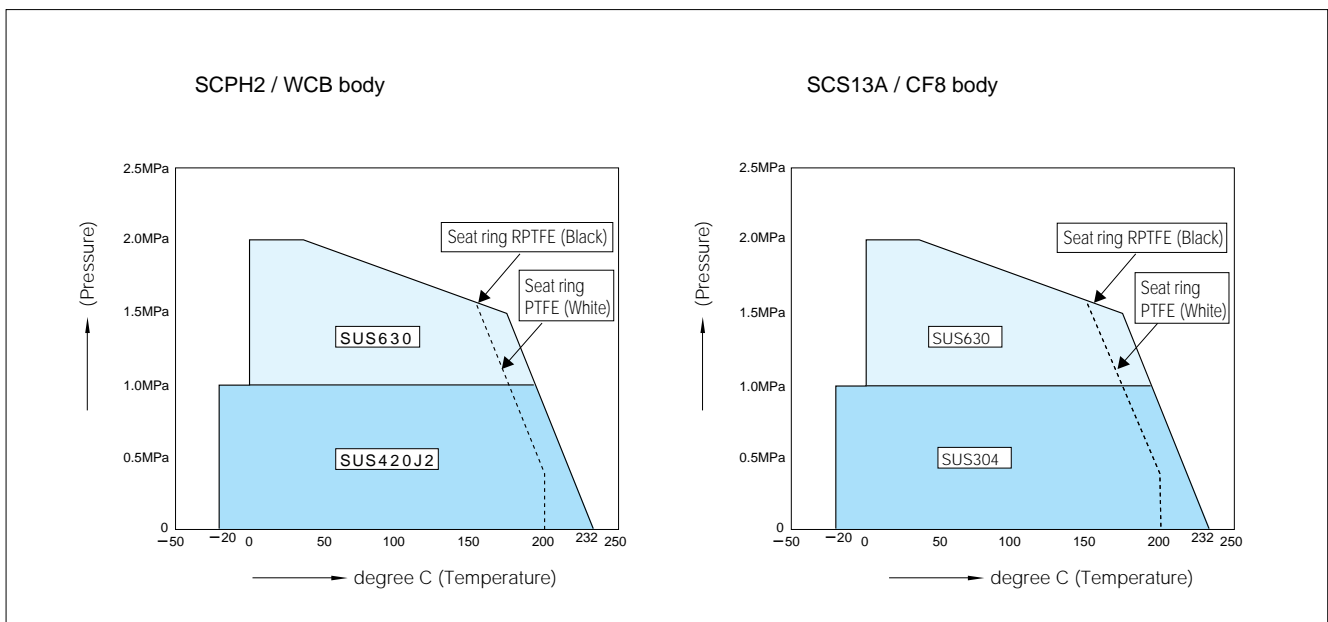


Butterfly Valves

- TRITEC
- TT2
- 334A
- 302A/303Q
- 304A/304Q
- 302Y/304Y
- 304M (HLV)
- 507V/508V
- 846T/847T/847Q
- 841T/842T
- 773Z (NAV-Z)
- 700G/704G/705G
- 731P/732P
- 732X/731X
- 700E/700K
- 704G/722F/720F
- LRV
- 227P
- MKT
- 903C/904C

304A Standard stem material

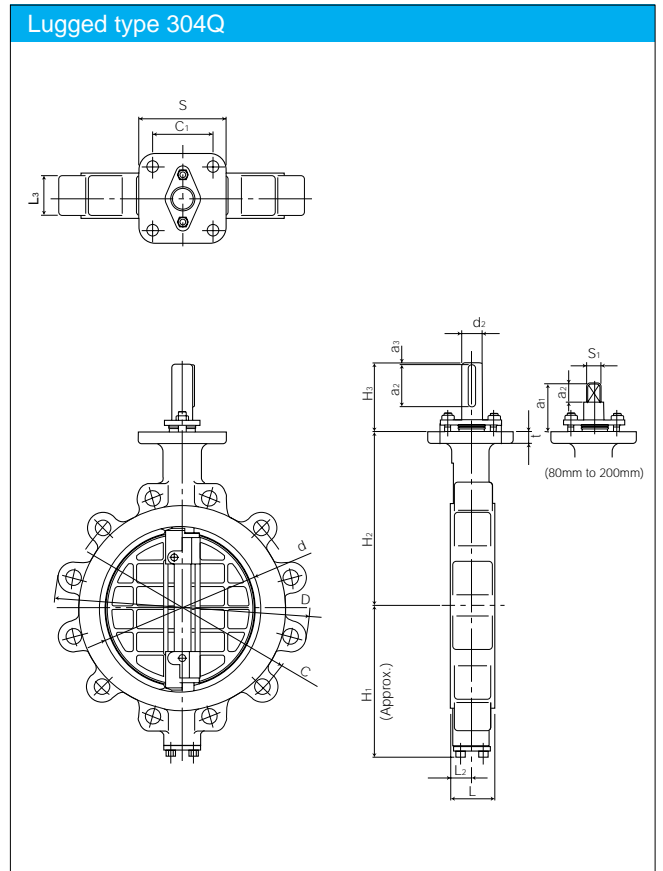
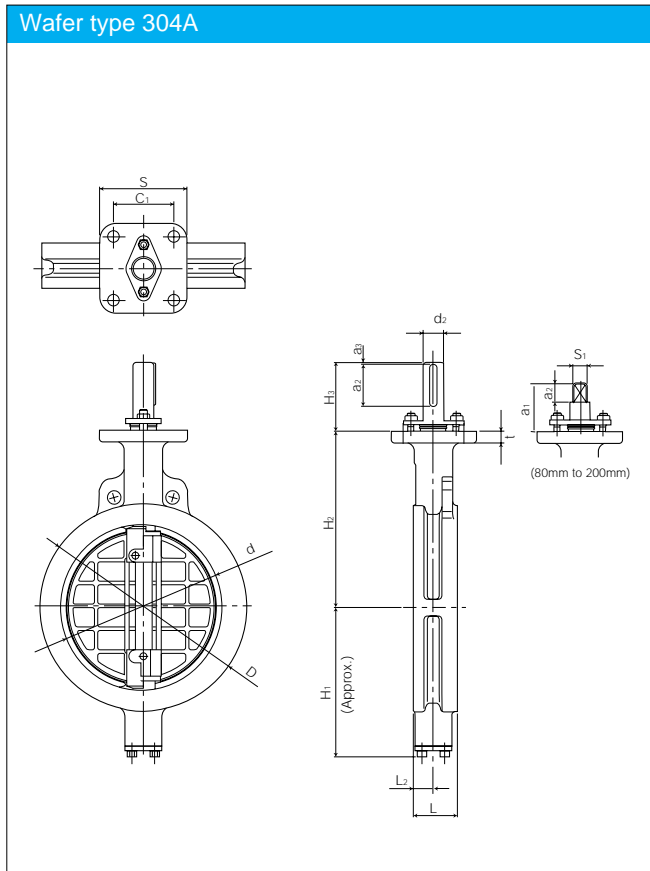
350mm to 600mm



Tom Disco® 304A (Wafer)/304Q (Lugged)

Dimension list

Butterfly Valves
TRITEC
TT2
334A
302A/303Q
304A/304Q
302Y/304Y
304M (HLV)
507V/508V
846T/847T/847Q
841T/842T
773Z (NAV-Z)
700G/704G/705G
731P/732P 732X/731X
700E/700K
704G/722F/720F
LRV
227P
MKT
903C/904C



304A Dimension list

Nominal size		Dimension (mm)													Approx. weight (kg)
mm	inch	d	D	L	L ₂	H ₁	H ₂	H ₃	d ₂	a ₂	a ₃	t	S	C ₁	
80	3	89	127	48	23	95	147	52.5	16	16.5	36	15	102	72	5
100	4	112	156	54	24	110	170	52.5	16	16.5	36	15	102	72	6.2
125	5	137	185	56	24	139	185	52.5	20	16.5	36	15	102	72	9.3
150	6	163	216	57	23	164	205	55.5	22	20	35.5	15	125	88.4	12.5
200	8	213	269	64	28	190	235	63	28	30	33	15	125	88.4	19
250	10	263	330	71	31	236	283	108	32	65.3	2	18	140	99	33
300	12	315	381	81	35	246	310	111	35	70.3	2	18	140	99	42
350	14	350	416	92	39.5	308	340	113	38	70	2	18	140	99	61
400	16	400	475	102	39	348	372	113	42	70	2	18	140	99	88
450	18	450	534	114	43	366	406	141.5	45	60	8	20	165	116.7	135
500	20	500	589	127	50	405	442	141.5	49	70	9	20	165	116.7	173
600	24	600	693	154	64	461	493	141.5	59	70	10	20	165	116.7	272

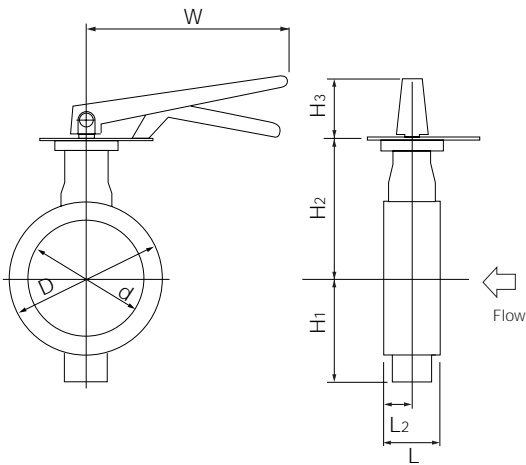
304Q Dimension list

Nominal size		Dimension (mm)														Approx. weight (kg)		
mm	inch	d	D	L	L ₂	L ₃	H ₁	H ₂	H ₃	d ₂	a ₂	a ₃	S ₁	S	t		C ₁	C
80	3	89	198	48	23	38	95	147	52.5	16	16.5	-	14	102	15	72	152.5	6
100	4	112	227	54	24	46	110	170	52.5	16	16.5	-	14	102	15	72	190.5	9.5
125	5	137	256	56	24	48	139	185	52.5	20	16.5	-	16	102	15	72	216	14
150	6	163	282	57	23	49	164	205	55.5	22	20	-	18	125	15	88.4	241.5	16
200	8	213	343	64	28	54	190	235	63	28	30	-	24	125	15	88.4	298.5	24
250	10	263	412	71	31	61	236	283	108	32	65	2	-	140	18	99	362	41
300	12	315	482	81	35	71	246	310	111	35	70	2	-	140	18	99	432	56
350	14	350	536	92	39.5	70	308	340	113	38	70	2	-	140	18	99	476.2	85
400	16	400	600	102	39	75	348	372	113	42	70	2	-	140	18	99	539.7	125
450	18	450	636	114	43	83	366	406	141.5	45	60	8	-	165	20	116.7	577.8	170
500	20	500	720	127	50	90	405	442	141.5	49	70	9	-	165	20	116.7	635	225
600	24	600	814	154	64	131	461	493	141.5	59	70	10	-	165	20	116.7	749.3	350

Lock lever type 304A-1T(80mm to 150mm)

Nominal size		Dimension (mm)									Lever type	Approx. weight (kg)
mm	inch	d	D	L	L ₂	H ₁	H ₂	Category	H ₃	W		
80	3	89	127	48	23	95	147	T ₁₀ , T ₂₀	117	300	1T-2	7.1
100	4	112	156	54	24	110	170	T ₁₀ , T ₂₀	117	300	1T-2	8.3
125	5	137	185	56	24	139	185	T ₁₀ , T ₂₀	117	300	1T-2	11.4
150	6	163	216	57	23	164	205	T ₁₀ , T ₂₀	125	350	1T-3	14.6

304A-1T



1T Installation direction

<p>Retainer side</p> <p>Stem side</p> <p>1TA</p>	<p>Retainer side</p> <p>Stem side</p> <p>1TB</p>	<p>Retainer side</p> <p>Stem side</p> <p>1TC</p>	<p>Retainer side</p> <p>Stem side</p> <p>1TD</p>
--	--	--	--

Butterfly Valves

TRITEC
TT2
334A
302A/303Q
304A/304Q
302Y/304Y
304M ^(HLV)
507V/508V
846T/847T/847Q
841T/842T
773Z ^(NAV-Z)
700G/704G/705G
731P/732P
732X/731X
700E/700K
704G/722F/720F
LRV
227P
MKT
903C/904C

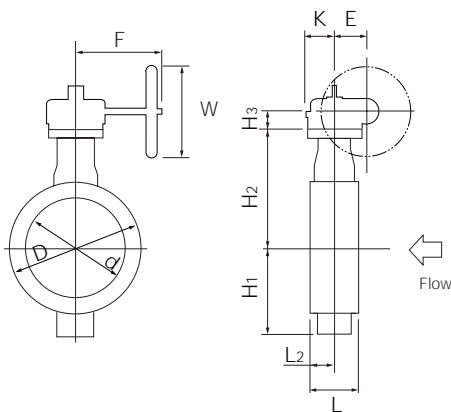
Tom Disco® 304A (Wafer) / 304Q (Lugged)

Worm gear type 304A-2U(80mm to 300mm) / 304A-2S (350mm to 600mm)

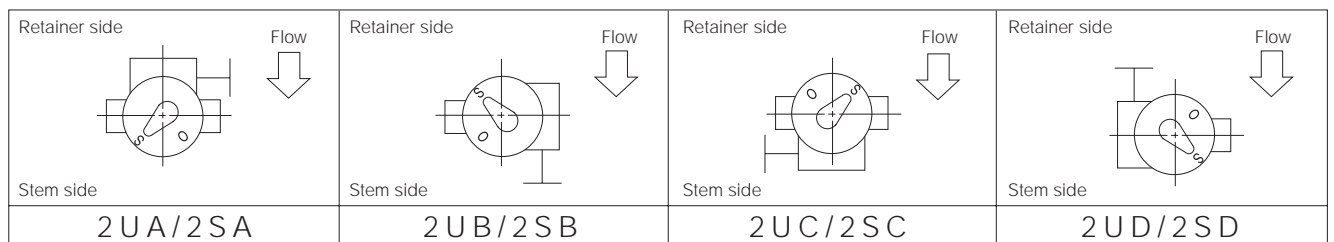
Butterfly Valves
TRITEC
TT2
334A
302A/303Q
304A/304Q
302Y/304Y
304M(HLV)
507V/508V
846T/847T/847Q
841T/842T
773Z(NAV-Z)
700G/704G/705G
731P/732P 732X/731X
700E/700K
704G/722F/720F
LRV
227P
MKT
903C/904C

	Nominal size		Dimension (mm)											Gear type	Approx. weight (kg)	
	mm	inch	d	D	L	L ₂	H ₁	H ₂	Category	H ₃	E	K	F			W
TT2	80	3	89	127	48	23	95	147	T ₁₀ ,T ₂₀	61	44	53	173.5	160	2U-2	7.9
334A	100	4	112	156	54	24	110	170	T ₁₀ ,T ₂₀	61	44	53	173.5	160	2U-2	9.1
302A/303Q	125	5	137	185	56	24	139	185	T ₁₀ ,T ₂₀	61	44	53	173.5	160	2U-2	12.4
304A/304Q	150	6	163	216	57	23	164	205	T ₁₀ ,T ₂₀	77.5	87.5	90	222.5	200	2U-4	29
302Y/304Y	200	8	213	269	64	28	190	235	T ₁₀ ,T ₂₀	77.5	87.5	90	222.5	200	2U-4	35.5
304M(HLV)	250	10	263	330	71	31	236	283	T ₁₀ ,T ₂₀	90	87.5	90	222.5	280	2U-4	49.5
507V/508V	300	12	315	381	81	35	246	310	T ₁₀ ,T ₂₀	92	90	105	266	280	2U-5	64
846T/847T/847Q	350	14	350	416	92	39.5	308	340	A,B,C	97	117	164	335	355	DGH-3	99
841T/842T	400	16	400	475	102	39	348	372	A	97	117	164	335	355	DGH-3	124
B,C									215	140	198	402	450	DGH-4	162	
C									127	140	198	432	355	DGH-4+R/G5	200	
773Z(NAV-Z)	450	18	450	534	114	43	366	406	A,B	127	140	198	402	450	DGH-4	198
C									127	140	198	432	355	DGH-4+R/G5	200	
700G/704G/705G	500	20	500	589	127	50	405	442	A,B	127	140	198	402	450	DGH-4	236
C									127	140	198	432	355	DGH-4+R/G5	238	
731P/732P 732X/731X	600	24	600	693	154	64	461	493	A	127	140	198	432	355	DGH-4+R/G5	338
B,C									245	185	264	497	355	DGH-4.5+R/G5	413	

304A-2U/2S



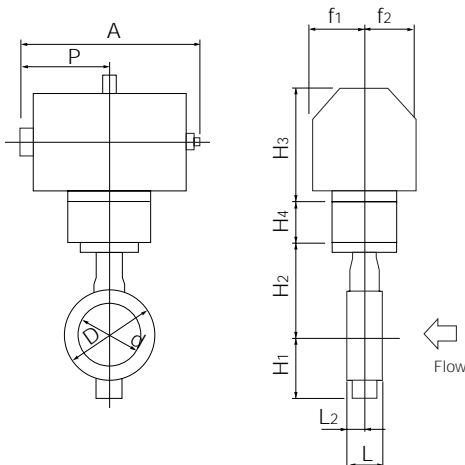
2U/2S Installation direction



Double-acting pneumatic cylinder type 304A-3E(80mm to 300mm)

Nominal size		Dimension (mm)													Cylinder type	Approx. weight (kg)
mm	inch	d	D	L	L ₂	H ₁	H ₂	Category	H ₃	H ₄	A	P	f ₁	f ₂		
80	3	89	127	48	23	95	147	T ₁₀ ,T ₂₀	133	26.5	266	136	53	51	K70	10
100	4	112	156	54	24	110	170	T ₁₀	133	26.5	266	136	53	51	K70	11
								T ₂₀	157	26.5	330	169	65	58	K170	14
125	5	137	185	56	24	139	185	T ₁₀ ,T ₂₀	157	26.5	330	169	65	58	K170	17
150	6	163	216	57	23	164	205	T ₁₀ ,T ₂₀	157	29.5	330	169	65	58	K170	21
200	8	213	269	64	28	190	235	T ₁₀ ,T ₂₀	184	29.5	409	207	83	69	K370	32.5
250	10	263	330	71	31	236	283	T ₁₀	184	190	409	207	83	87.5	K370	60.5
								T ₂₀	224	190	518	260	101	87.5	K700	70.5
300	12	315	381	81	35	246	310	T ₁₀ ,T ₂₀	224	190	518	260	101	87.5	K700	79.5

304A-3E



3E Installation direction

<p>Retainer side</p> <p>Flow</p> <p>Air port side</p> <p>Stem side</p> <p>3 E A</p>	<p>Retainer side</p> <p>Air port side</p> <p>Flow</p> <p>Stem side</p> <p>3 E B</p>	<p>Retainer side</p> <p>Flow</p> <p>Stem side</p> <p>Air port side</p> <p>3 E C</p>	<p>Retainer side</p> <p>Flow</p> <p>Stem side</p> <p>Air port side</p> <p>3 E D</p>
---	---	---	---

Butterfly Valves

TRITEC
TT2
334A
302A/303Q
304A/304Q
302Y/304Y
304M(HLV)
507V/508V
846T/847T/847Q
841T/842T
773Z(NAV-Z)
700G/704G/705G
731P/732P
732X/731X
700E/700K
704G/722F/720F
LRV
227P
MKT
903C/904C

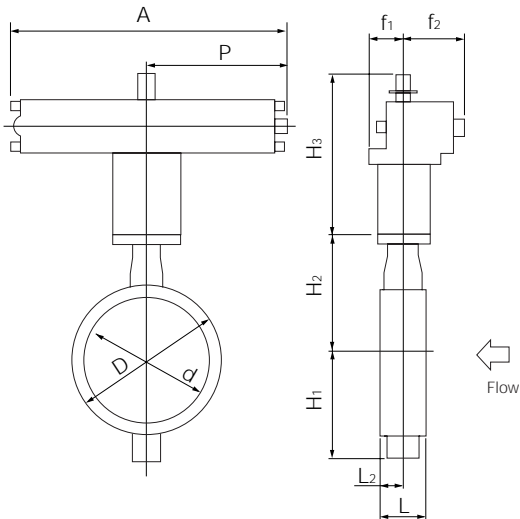
Tom Disco® 304A (Wafer) / 304Q (Lugged)

Double-acting pneumatic cylinder type 304A-3A (350mm to 600mm)

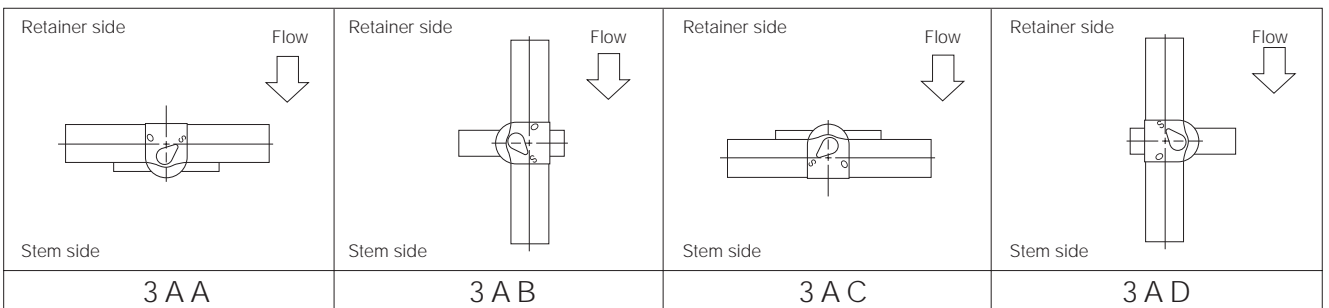
Butterfly Valves	
TRITEC	
TT2	
334A	
302A/303Q	
304A/304Q	
302Y/304Y	
304M (HLV)	
507V/508V	
846T/847T/847Q	
841T/842T	
773Z (NAV-Z)	
700G/704G/705G	
731P/732P 732X/731X	
700E/700K	
704G/722F/720F	
LRV	
227P	
MKT	
903C/904C	

Nominal size		Dimension (mm)											Cylinder type	Approx. weight (kg)	
mm	inch	d	D	L	L ₂	H ₁	H ₂	Category	H ₃	A	P	f ₁			f ₂
350	14	350	416	92	39.5	308	340	A	424	743	381	100	164	TGA-125	110
								B,C	472	810	417	100	180	TGA-140	121
400	16	400	475	102	39	348	372	A	424	743	381	100	164	TGA-125	136
								B	472	810	417	100	180	TGA-140	147
								C	510	939	483	130	202	TGA-160	214
450	18	450	534	114	43	366	406	A	502	810	417	100	180	TGA-140	207
								B,C	530	939	483	130	202	TGA-160	263
500	20	500	589	127	50	405	442	A	502	810	417	100	180	TGA-140	246
								B	530	939	483	130	202	TGA-160	302
								C	543	1053	543	130	218	TGA-180	330
600	24	600	693	154	64	461	493	A	543	1053	543	130	218	TGA-180	431
								B	610	1163	599	160	253	TGA-200	475
								C	640	1248	642	160	270	TGA-220	535

304A-3A



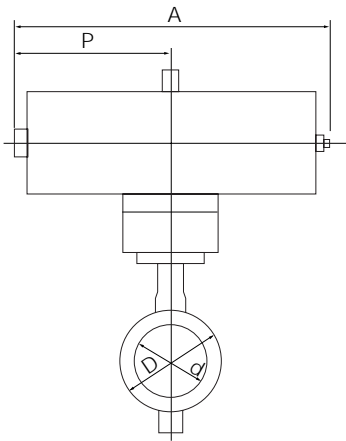
3A Installation direction



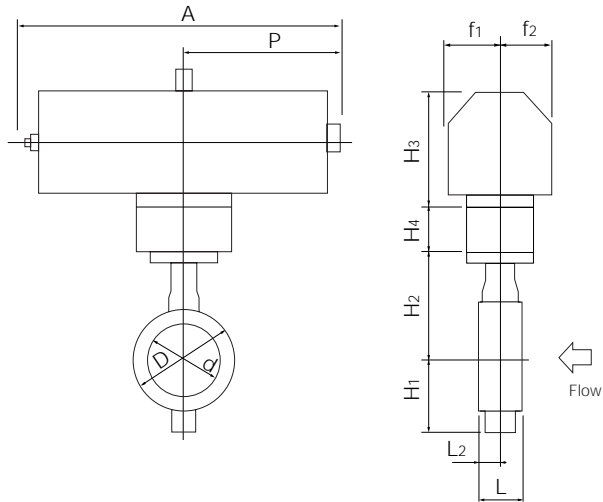
Single-acting pneumatic cylinder type 304A-3G (Air to open: 80mm to 200mm) / 304A-3F (Air to close: 80mm to 200mm)

Nominal size		Dimension (mm)												Cylinder type	Approx. weight (kg)	
mm	inch	d	D	L	L ₂	H ₁	H ₂	Category	H ₃	H ₄	A	P	f ₁			f ₂
80	3	89	127	48	23	95	147	T ₁₀ , T ₂₀	157	26.5	444	218.5	65	58	K170S	15
100	4	112	156	54	24	110	170	T ₁₀	157	26.5	444	218.5	65	58	K170S	16
								T ₂₀	184	26.5	545	269	83	69	K370S	23
125	5	137	185	56	24	139	185	T ₁₀	184	26.5	545	269	83	69	K370S	26.5
								T ₂₀	224	26.5	707	350	101	85	K700S	40.5
150	6	163	216	57	23	164	205	T ₁₀ , T ₂₀	224	29.5	707	350	101	85	K700S	44.5
200	8	213	269	64	28	190	235	T ₁₀	224	29.5	707	350	101	85	K700S	51

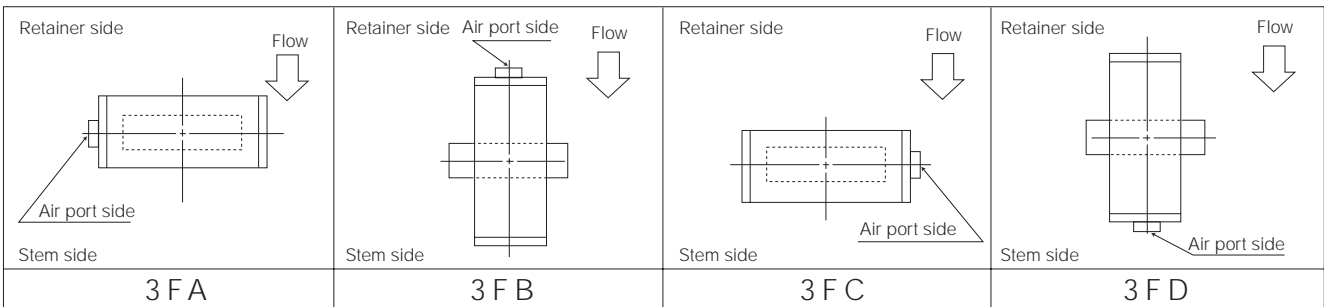
304A-3F



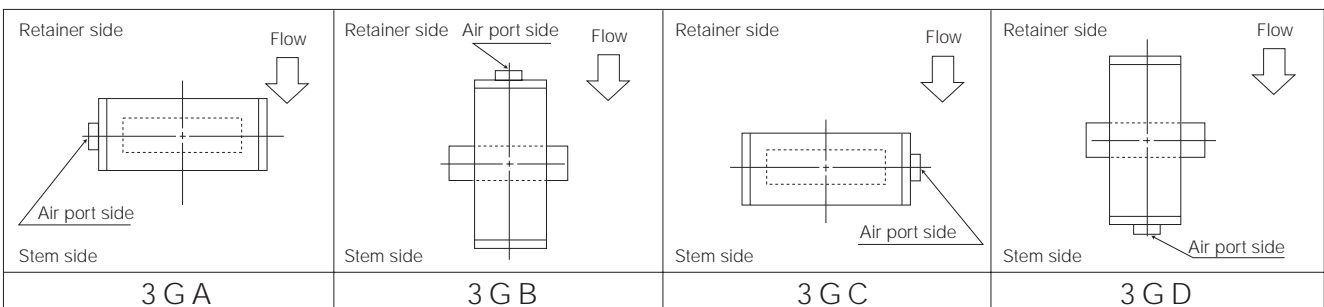
304A-3G



3F Installation direction



3G Installation direction



Butterfly Valves

TRITEC
TT2
334A
302A/303Q
304A/304Q
302Y/304Y
304M(HLV)
507V/508V
846T/847T/847Q
841T/842T
773Z (NAV-Z)
700G/704G/705G
731P/732P 732X/731X
700E/700K
704G/722F/720F
LRV
227P
MKT
903C/904C

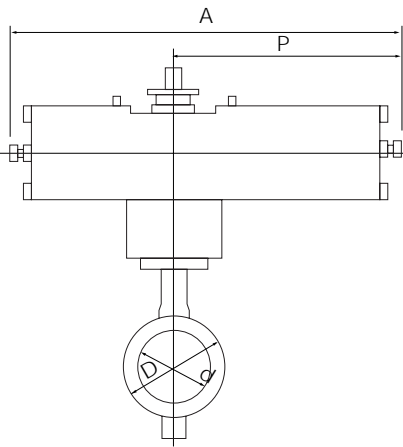
Tom Disco[®]304A (Wafer) / 304Q (Lugged)

Single-acting pneumatic cylinder type 304A-3U (Air to open: 200mm to 600mm) / 304A-3K (Air to close: 200mm to 600mm)

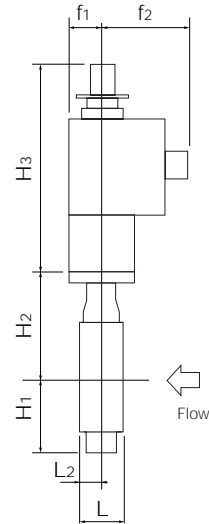
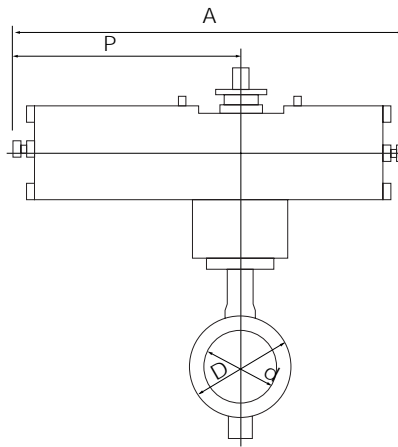
Butterfly Valves
TRITEC
TT2
334A
302A/303Q
304A/304Q
302Y/304Y
304M (HLV)
507V/508V
846T/847T/847Q
841T/842T
773Z (NAV-Z)
700G/704G/705G
731P/732P 732X/731X
700E/700K
704G/722F/720F
LRV
227P
MKT
903C/904C

Nominal size		Dimension (mm)												Cylinder type	Approx. weight (kg)
mm	inch	d	D	L	L ₂	H ₁	H ₂	Category	H ₃	A	P	f ₁	f ₂		
200	8	213	269	64	28	190	235	T ₁₀	377	945	585	75	165	TG-10S	78
								T ₂₀	377	1080	720	94	206	TG-12S	122
250	10	263	330	71	31	236	283	T ₁₀ , T ₂₀	417	1080	720	94	206	TG-12S	141
300	12	315	381	81	35	246	310	T ₁₀ , T ₂₀	417	1080	720	94	206	TG-12S	150
350	14	350	416	92	39.5	308	340	A	450	1255	865	131	257	TG-14S	264
								B, C	602	1655	1095	164	348	TG-20S	485
400	16	400	475	102	39	348	372	A	450	1255	865	131	257	TG-14S	292
								B, C	602	1655	1095	164	348	TG-20S	512
450	18	450	534	114	43	366	406	A, B, C	624	1655	1095	164	348	TG-20S	564
500	20	500	589	127	50	405	442	A, B, C	624	1655	1095	164	348	TG-20S	602
600	24	600	693	154	64	461	493	A	624	1655	1095	164	348	TG-20S	701

304A-3K



304A-3U



3K Installation direction

<p>Retainer side</p> <p>Flow</p> <p>Stem side</p> <p>3 K A</p>	<p>Retainer side</p> <p>Flow</p> <p>Stem side</p> <p>3 K B</p>	<p>Retainer side</p> <p>Flow</p> <p>Stem side</p> <p>3 K C</p>	<p>Retainer side</p> <p>Flow</p> <p>Stem side</p> <p>3 K D</p>
--	--	--	--

3U Installation direction

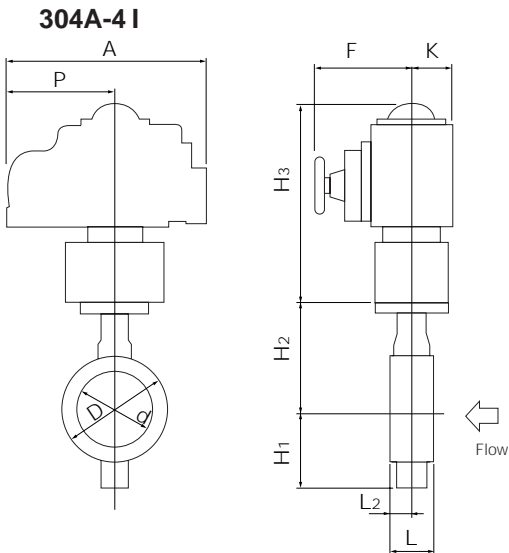
<p>Retainer side</p> <p>Flow</p> <p>Stem side</p> <p>3 U A</p>	<p>Retainer side</p> <p>Flow</p> <p>Stem side</p> <p>3 U B</p>	<p>Retainer side</p> <p>Flow</p> <p>Stem side</p> <p>3 U C</p>	<p>Retainer side</p> <p>Flow</p> <p>Stem side</p> <p>3 U D</p>
--	--	--	--

Single phase electric motor type 304A-4 I (80mm to 400mm)

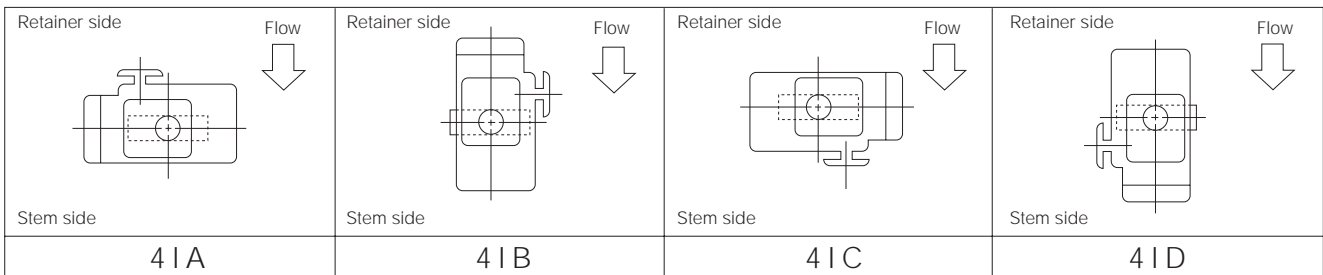
Nominal size		Dimension (mm)												Motor type	Approx. weight (kg)
mm	inch	d	D	L	L ₂	H ₁	H ₂	Category	H ₃	A	P	F	K		
80	3	89	127	48	23	95	147	T ₁₀ ,T ₂₀	250	202	100	85	54	4 I-0	12.1
100	4	112	156	54	24	110	170	T ₁₀	265	252	138	126	65	4 I-1	15.5
								T ₂₀	298	310	167	154	85	4 I-2	21.5
125	5	137	185	56	24	139	185	T ₁₀ ,T ₂₀	298	310	167	154	85	4 I-2	24.5
150	6	163	216	57	23	164	205	T ₁₀ ,T ₂₀	373	310	167	154	85	4 I-2	29.5
200	8	213	269	64	28	190	235	T ₁₀ ,T ₂₀	373	310	167	154	85	4 I-2.5	39
250	10	263	330	71	31	236	283	T ₁₀	411	310	167	154	85	4 I-2.5	56.5
								T ₂₀	420	388	223	246	136	4 I-3	66
300	12	315	381	81	35	246	310	T ₁₀ ,T ₂₀	420	388	223	246	136	4 I-3	75
350	14	350	416	92	39.5	308	340	A, B	423	388	223	246	136	4 I-4	96
400	16	400	475	102	39	348	372	A	423	388	223	246	136	4 I-4	123

Butterfly Valves

TRITEC
TT2
334A
302A/303Q
304A/304Q
302Y/304Y
304M ^(HLV)
507V/508V
846T/847T/847Q
841T/842T
773Z ^(NAV-Z)
700G/704G/705G
731P/732P 732X/731X
700E/700K
704G/722F/720F
LRV
227P
MKT
903C/904C



4 I Installation direction



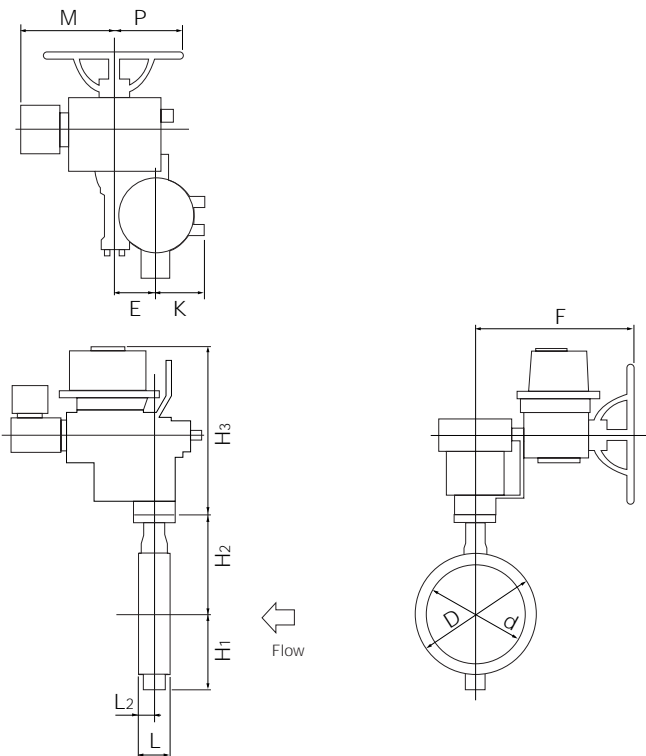
Tom Disco® 304A (Wafer) / 304Q (Lugged)

Three phase motor actuator type 304A-4L (350mm to 600mm)

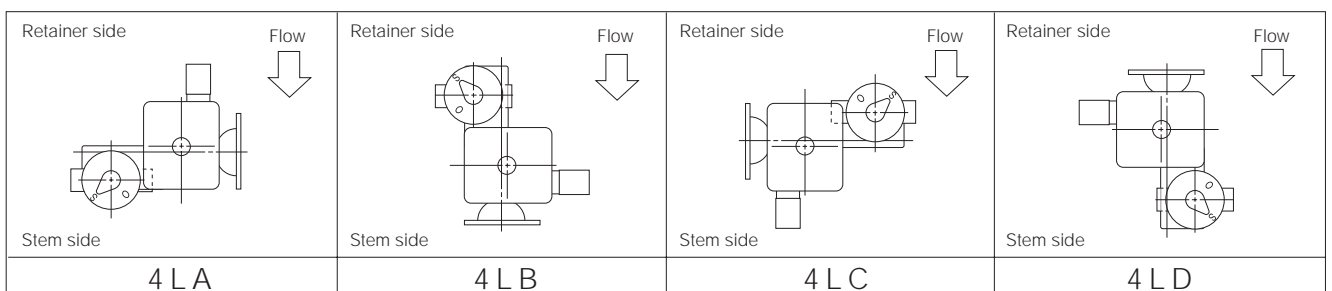
Butterfly Valves

TRITEC	Nominal size		Dimension (mm)													Motor type	Approx. weight (kg)
	mm	inch	d	D	L	L ₂	H ₁	H ₂	Category	H ₃	E	K	F	M	P		
TT2	350	14	350	416	92	39.5	308	340	A, B	547	117	164	533	357	230	LTKD-01 0.2kW /DGH-3	171
334A									C	592	140	198	593	373	230	LTKD-02 0.4kW /DGH-4	221
302A/303Q	400	16	400	475	102	39	348	372	A	547	117	164	533	357	230	LTKD-01 0.2kW /DGH-3	197
304A/304Q									B	592	140	198	593	373	230	LTKD-02 0.4kW /DGH-4	247
									C	592	140	198	593	400	230	LTKD-02 0.75kW /DGH-4	258
302Y/304Y	450	18	450	534	114	43	366	406	A	642	140	198	593	373	230	LTKD-02 0.4kW /DGH-4	308
304M (HLV)									B, C	642	140	198	593	400	230	LTKD-02 0.75kW /DGH-4	319
507V/508V	500	20	500	589	127	50	405	442	A	642	140	198	593	373	230	LTKD-02 0.4kW /DGH-4	346
846T/847T/847Q									B, C	642	140	198	593	400	230	LTKD-02 0.75kW /DGH-4	357
841T/842T	600	24	600	693	154	64	461	493	A	642	140	198	593	400	230	LTKD-02 0.75kW /DGH-4	460
									B, C	749	210	300	748	477	360	LTKD-05 1.5kW /DGH-5	605

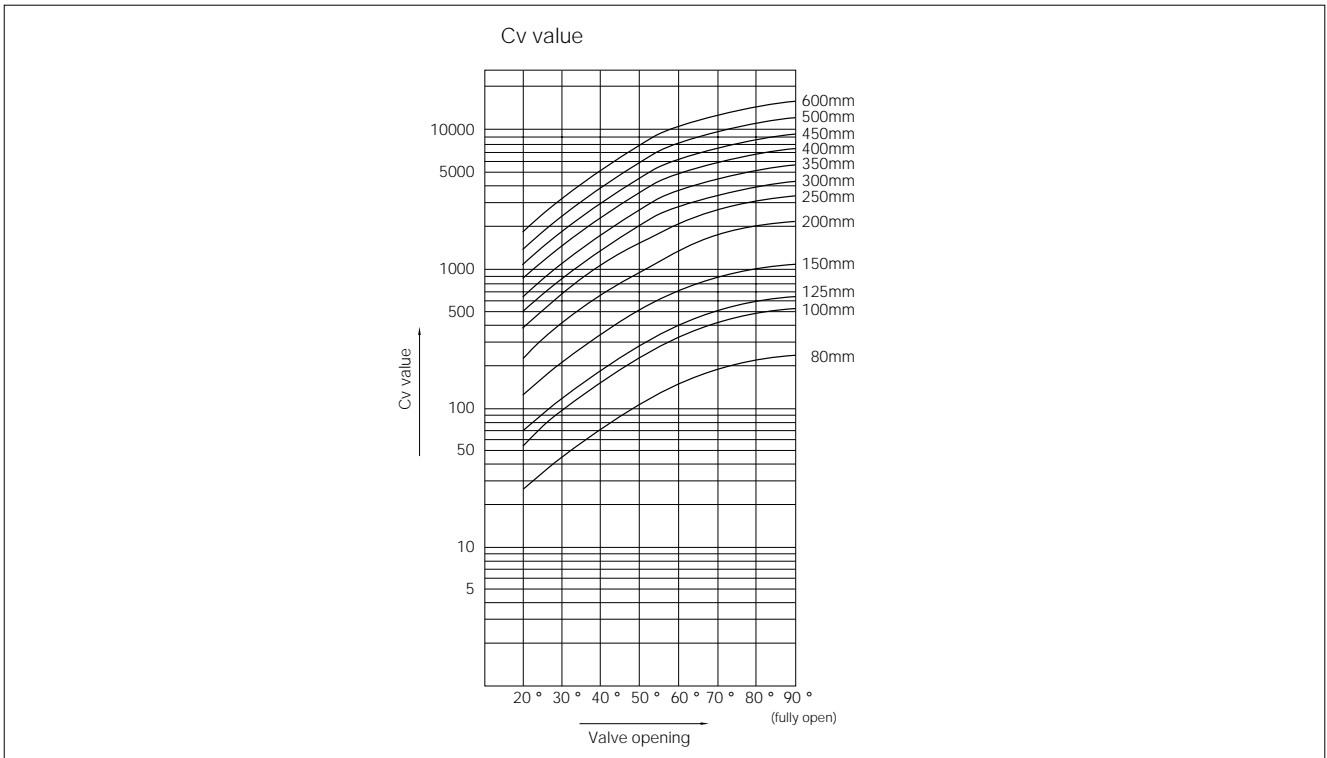
304A-4L



4L Installation direction



304A Cv value



304A Cv value

Nominal size		Valve opening							
mm	inch	20°	30°	40°	50°	60°	70°	80°	90°
80	3	29	52	85	122	162	207	243	252
100	4	49	88	144	207	279	351	414	432
125	5	77	140	230	333	441	549	648	684
150	6	126	225	369	531	720	900	1080	1116
200	8	234	423	693	990	1350	1710	1980	2070
250	10	390	703	1148	1648	2240	2857	3300	3443
300	12	492	888	1454	2081	2838	3612	4172	4354
350	14	648	1170	1915	2741	3739	4758	5496	5736
400	16	829	1496	2449	3505	4780	6084	7027	7334
450	18	1041	1879	3076	4403	6004	7642	8827	9212
500	20	1323	2387	3909	5595	7630	9710	11216	11705
600	24	1929	3481	5700	8159	11126	14161	16356	17070

Butterfly Valves

- TRITEC
- TT2
- 334A
- 302A/303Q
- 304A/304Q
- 302Y/304Y
- 304M(HLV)
- 507V/508V
- 846T/847T/847Q
- 841T/842T
- 773Z_(NAV-Z)
- 700G/704G/705G
- 731P/732P
732X/731X
- 700E/700K
- 704G/722F/720F
- LRV
- 227P
- MKT
- 903C/904C

304A pressure loss coefficient

Butterfly Valves

TRITEC

TT2

334A

302A/303Q

304A/304Q

302Y/304Y

304M(HLV)

507V/508V

846T/847T/847Q

841T/842T

773Z(NAV-Z)

700G/704G/705G

731P/732P
732X/731X

700E/700K

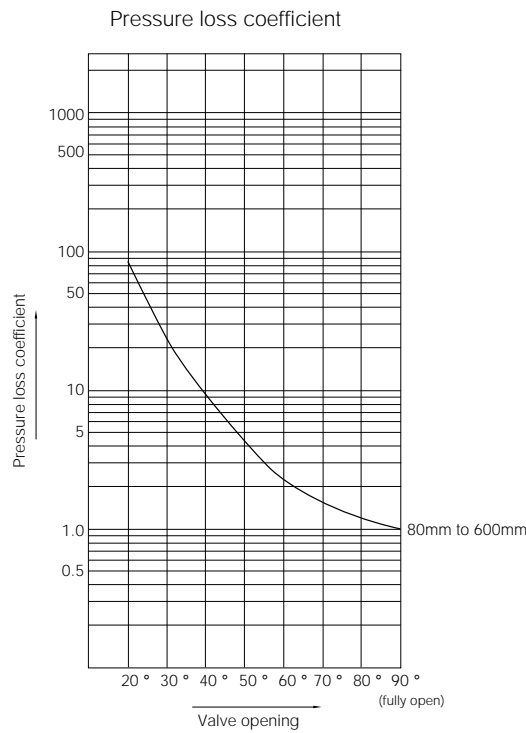
704G/722F/720F

LRV

227P

MKT

903C/904C



304A Pressure loss coefficient

Nominal size		Valve opening							
mm	inch	20°	30°	40°	50°	60°	70°	80°	90°
80	3	95	29	11	5	3	2	1	1
100	4	98	30	11	5	3	2	1	1
125	5	93	28	10	5	3	2	1	1
150	6	70	22	8	4	2	1	1	1
200	8	62	19	7	3	2	1	1	1
250	10	54	17	6	3	2	1	1	1
300	12	70	21	8	4	2	1	1	1
350	14	68	21	8	4	2	1	1	1
400	16	73	22	8	4	2	1	1	1
450	18	75	23	9	4	2	1	1	1
500	20	72	22	8	4	2	1	1	1
600	24	70	22	8	4	2	1	1	1

304A Applicable flange standard

Nominal size		JIS				ANSI/API/JPI 150Lb	BS4504		DIN		BS10 Table E
mm	inch	5K	10K	16K	20K		PN10	PN16	NP10	NP16	
80	3	×	D	D	D		D	D	D	D	×
100	4	×	D	D	D	D	D	D	D	D	×
125	5	×	D	D	D	D	D	D	D	D	×
150	6	×	D	D	D	D	D	D	D	D	×
200	8	×	D	D	D	D	D	D	D	D	×
250	10	×	D	D	D	D	D	D	D	D	×
300	12	×	D	D	D	D	D	D	D	D	×
350	14	D	D	D	D	D	D	D	D	D	D
400	16	D	D	D	D	D	D	D	D	D	D
450	18	D	T	T	T	D	T	T	T	T	D
500	20	T	T	T	T	T	T	T	T	T	T
600	24	T	T	T	T	T	T	T	T	T	T

: Can be used without flange drilling.
 D : With flange drilling
 T : With flange tapping
 × : Not applicable

Butterfly Valves

TRITEC
TT2
334A
302A/303Q
304A/304Q
302Y/304Y
304M ^(HLV)
507V/508V
846T/847T/847Q
841T/842T
773Z ^(NAV-Z)
700G/704G/705G
731P/732P 732X/731X
700E/700K
704G/722F/720F
LRV
227P
MKT
903C/904C

Tom Disco® 304A (Wafer) / 304Q (Lugged)

304A Applicable pipe list in case of **A**

Butterfly Valves

Nominal size	SGP		Sch20		Sch40		Sch60		Sch80		Sch10S		Sch20S		Minimum internal diameters of piping (mm)
	mm	inch	Retainer (up stream)	Stem Side (down stream)	Retainer (up stream)	Stem Side (down stream)	Retainer (up stream)	Stem Side (down stream)	Retainer (up stream)	Stem Side (down stream)	Retainer (up stream)	Stem Side (down stream)	Retainer (up stream)	Stem Side (down stream)	
TRITEC															
TT2															
334A	80	3													72.5
	100	4													93.8
302A/303Q	125	5													119.4
304A/304Q	150	6							x		x				147.5
302Y/304Y	200	8							x		x				197.5
	250	10							x		x				248.1
304M(HLV)	300	12							x	x	x				297.6
507V/508V	350	14							x	x	x	-	-	-	330
846T/847T/847Q	400	16							x		x	-	-	-	377
841T/842T	450	18							x		x	-	-	-	424
773Z(NAV-Z)	500	20							x		x	-	-	-	470
700G/704G/705G	600	24	-	-					x	x	x	-	-	-	564

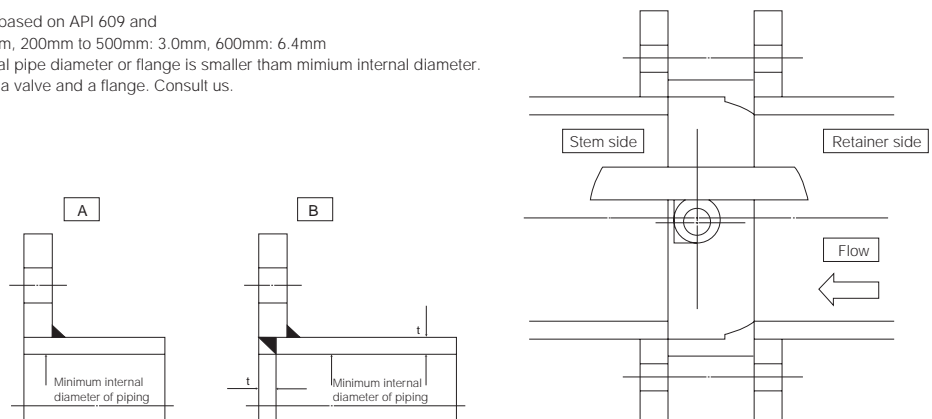
304A Applicable pipe list in case of **B**

Nominal size	SGP		Sch20		Sch40		Sch60		Sch80		Sch10S		Sch20S	
	mm	inch	Retainer (up stream)	Stem Side (down stream)	Retainer (up stream)	Stem Side (down stream)	Retainer (up stream)	Stem Side (down stream)	Retainer (up stream)	Stem Side (down stream)	Retainer (up stream)	Stem Side (down stream)	Retainer (up stream)	Stem Side (down stream)
731P/732P 732X/731X														
700E/700K														
704G/722F/720F														
LRV	80	3												
227P	100	4												
MKT	125	5												
	150	6												
903C/904C	200	8							x		x			
	250	10							x		x			
	300	12							x		x			
	350	14							x		x	-	-	-
	400	16							x		x	-	-	-
	450	18							x		x	-	-	-
	500	20							x		x	-	-	-
	600	24	-	-					x		x	-	-	-

Remark 1: =Applicable x=Not applicable

Remark 2: The clearance of disc and pipe is based on API 609 and MSS SP67 80mm to 150mm: 1.5mm, 200mm to 500mm: 3.0mm, 600mm: 6.4mm

Remark 3: In case of "x" shown above, internal pipe diameter or flange is smaller than minimum internal diameter. Consider to put a spacer between a valve and a flange. Consult us.



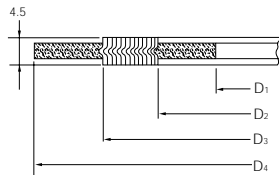
304A Piping gasket

In case of sheet gasket Any standard can be used.
 In case of spiral gasket
 For API, JPI, ANSI flange Any standard gaskets with inner/outer ring can be used.
 For JIS flange Use special spiral gasket shown below.

Special spiral gasket for JIS flange size

Nominal size		JIS flange					
		5K, 10K, 16K, 20K		5K	10K	16K, 20K	
mm	inch	D1	D2	D3	D4	D4	D4
80	3	89	97	120	x	134	140
100	4	115	124	146	x	159	165
125	5	140	151	177	x	190	202
150	6	166	178	207	x	220	237
200	8	217	227	257	x	270	282
250	10	268	282	318	x	332	354
300	12	319	331	362	x	377	404
350	14	356	369	399	412	422	450
400	16	406	420	457	472	484	508
450	18	458	472	517	532	539	573
500	20	508	532	567	582	594	628
600	24	610	626	672	689	700	734

Remark1: x: Not applicable



Applicable standard for spiral gasket

Nominal size		Tomoe special			Standard gasket		
		JIS 10K	JIS 16K JIS 20K	ANSI 125/150Lb	JIS 10K	JIS 16K JIS 20K	ANSI 125/150Lb
mm	inch						
80	3				x	x	
100	4				x	x	
125	5				x	x	
150	6				x	x	
200	8				x	x	
250	10				x	x	
300	12				x	x	
350	14				x	x	
400	16				x	x	
450	18				x	x	
500	20				x	x	
600	24				x	x	

Remark: : Applicable, x: Not applicable

304A Applicable standard for standard piping gasket

Nominal size		Max. allowable inside diameter (D)	Joint sheet or PTFE solid gasket (t = 2mm)					PTFE mold type gasket VALQUA or NICHIASU				
			JIS 5K	JIS 10K	JIS 16K JIS 20K	ANSI 125/150Lb	JPI 150Lb	JIS 5K	JIS 10K	JIS 16K JIS 20K	ANSI 125/150Lb	JPI 150Lb
mm	inch											
80	3	97	x					x				
100	4	124	x					x				
125	5	151	x					x				
150	6	178	x					x				
200	8	227	x					x				
250	10	282	x					x				
300	12	331	x					x				
350	14	362										
400	16	414										
450	18	468										
500	20	518										
600	24	619										

Remark: : Applicable, x: Not applicable

Butterfly Valves

TRITEC

TT2

334A

302A/303Q

304A/304Q

302Y/304Y

304M(HLV)

507V/508V

846T/847T/847Q

841T/842T

773Z(NAV-Z)

700G/704G/705G

731P/732P
732X/731X

700E/700K

704G/722F/720F

LRV

227P

MKT

903C/904C

Tom Disco® 304A (Wafer) / 304Q (Lugged)

304A Piping bolts and nuts sizes

Butterfly Valves
TRITEC
TT2
334A
302A/303Q
304A/304Q
302Y/304Y
304M(HLV)
507V/508V
846T/847T/847Q
841T/842T
773Z(NAV-Z)
700G/704G/705G
731P/732P 732X/731X
700E/700K
704G/722F/720F
LRV
227P
MKT
903C/904C

Nominal size		JIS5K		JIS10K		JIS16K	
mm	inch	Long bolts and nuts	Setting bolts	Long bolts and nuts	Setting bolts	Long bolts and nuts	Setting bolts
80	3	—	—	8-M16×145	—	8-M20×170	—
100	4	—	—	8-M16×145	—	8-M20×170	—
125	5	—	—	8-M20×170	—	8-M22×190	—
150	6	—	—	8-M20×170	—	12-M22×190	—
200	8	—	—	12-M20×170	—	12-M22×190	—
250	10	—	—	12-M22×190	—	12-M24×210	—
300	12	—	—	16-M22×190	—	16-M24×225	—
350	14	12-M22×210	—	16-M22×210	—	16-M30(P3)×245	—
400	16	16-M22×220	—	16-M24×235	—	16-M30(P3)×265	—
450	18	16-M22×230	—	16-M24×250	4-M24×84×60 4-M24×58×50	16-M30(P3)×280	4-M30(P3)×95×65 4-M30(P3)×73×50
500	20	16-M22×245	4-M22×80×50 4-M22×60×50	16-M24×260	4-M24×90×60 4-M24×70×60	16-M30(P3)×300	4-M30(P3)×105×65 4-M30(P3)×81×50
600	24	16-M24×280	4-M24×84×60 4-M24×65×50	20-M30(P3)×300	4-M30(P3)×81×50 4-M30(P3)×65×50	20-M36(P3)×345	4-M36(P3)×100×60 4-M36(P3)×82×50

Nominal size		JIS20K		ANSI150Lb, API/JPI150Lb	
mm	inch	Long bolts and nuts	Setting bolts	Long bolts and nuts	Setting bolts
80	3	8-M20×170	—	4-U5/8-11UNC×155	—
100	4	8-M20×170	—	8-U5/8-11UNC×155	—
125	5	8-M22×190	—	8-U3/4-10UNC×175	—
150	6	12-M22×190	—	8-U3/4-10UNC×175	—
200	8	12-M22×190	—	8-U3/4-10UNC×205	—
250	10	12-M24×210	—	12-U7/8-9UNC×215	—
300	12	16-M24×225	—	12-U7/8-9UNC×215	—
350	14	16-M30(P3)×260	—	12-U1-8UNC×240	—
400	16	16-M30(P3)×280	—	16-U1-8UNC×255	—
450	18	16-M30(P3)×300	4-M30(P3)×105×65 4-M30(P3)×81×50	16-U1 1/8-8UN×280	—
500	20	16-M30(P3)×315	4-M30(P3)×110×60 4-M30(P3)×90×65	16-U1 1/8-8UN×295	4-U1 1/8-8UN×105×50 4-U1 1/8-8UN×80×50
600	24	20-M36(P3)×360	4-M36(P3)×108×60 4-M36(P3)×90×50	16-U1 1/4-8UN×340	4-U1 1/4-8UN×100×50 4-U1 1/4-8UN×90×50

Remark: Use SNB 7/S45C (A193 B7/A, 194 2H) SUS304/SUS304
 For long bolt, use full thread bolt.
 For hexagon nut, use heavy nut.
 A metric screw should have 3 pitches if its nominal diameter exceeds M30.
 A unified screw should have 8 threads per inch if its nominal diameter exceeds 1 inch.
 Hexagon bolts (set bolts) are indicated with the retainer side on the up side and the stem side on down side.

Examples

Long bolts: 12 - M22 × 185
 | | |
 N M L

Setting bolts: 4 - M30 × 95 × 65
 (Hexagon bolts) | | | |
 N M L S

